



10 Ton Steel

JERR-DAN
RUN HARD

EQUIPMENT OPTIONS



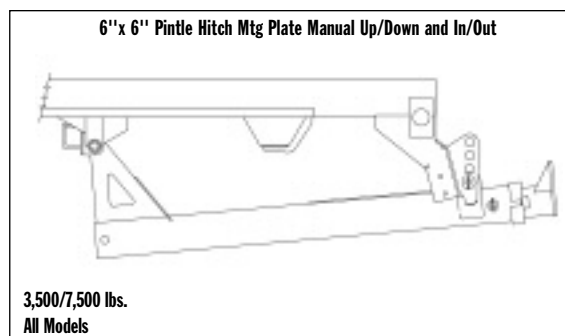
Upper and Lower Work Lights
Next to Winch



A Variety of Light Bar Packages
(Stop-Turn and Work Light)

STANDARD FEATURES

- Deluxe Bolt-On Headboard with Screen
- 12,000 lb Worm Gear Winch with 7/16" dia x 56' long cable
- W6 x 16 lb/ft Steel Main Deck Beams
- Reinforced Low-Profile Tapered Approach Tip
- Steel Mini-I Beam Crossmembers on 12" Centers
- Steel Angle Flush Style Rubrails with Stake Pockets
- Keyslots: Two at Front, Four at Rear
- Two Chain and Binder Trays Abreast of Winch
- FMVSS Light Group with Wiring Harness and Packard® Weather-Pack Connectors
- Dual Lighted Control Stations with Durable Polycarbonate Placards, Polyethylene Hoods and Polished Aluminum Handles
- Dual Hydraulic Counterbalance Locking Valve on Deck Tilt Function
- Reinforced Rigid Tubular Steel Subframe with No-Lube™ Pivot Joints*
- Full Length Top / Sectional Bottom No-Lube™ High Performance Replaceable Slide Pad System**
- Flexible Nylon Hose / Cable Carrier Tracking System
- Heavy Duty Deck Lock / Hold-Down System
- Adjustable Tilt Stabilizer Bumpers
- Backup Alarm
- Deck and Subframe Painted Black
- Mud Flaps
- Abrasion Resistant / Thermal Resistant Hydraulic Hoses
- Hydraulic Reservoir with Integrated Oil Level / Temperature Gauge
- Hydraulic Supply and Return Filtration
- Chrome Plated Cylinder Rods
- Direct Mount Pump



S/S Door Tool Boxes
36", 48", 60"



Standard Tri-Axle Subframe
for Transporter 28' Decks



Air Shift PTO

SEE PAGES 7-10 FOR COMPARISON CHARTS OF STANDARD FEATURES AND EQUIPMENT OPTIONS